

SOUTHERN CRANES & ACCESS

Terex AC40L



Southern Cranes & Access Ltd

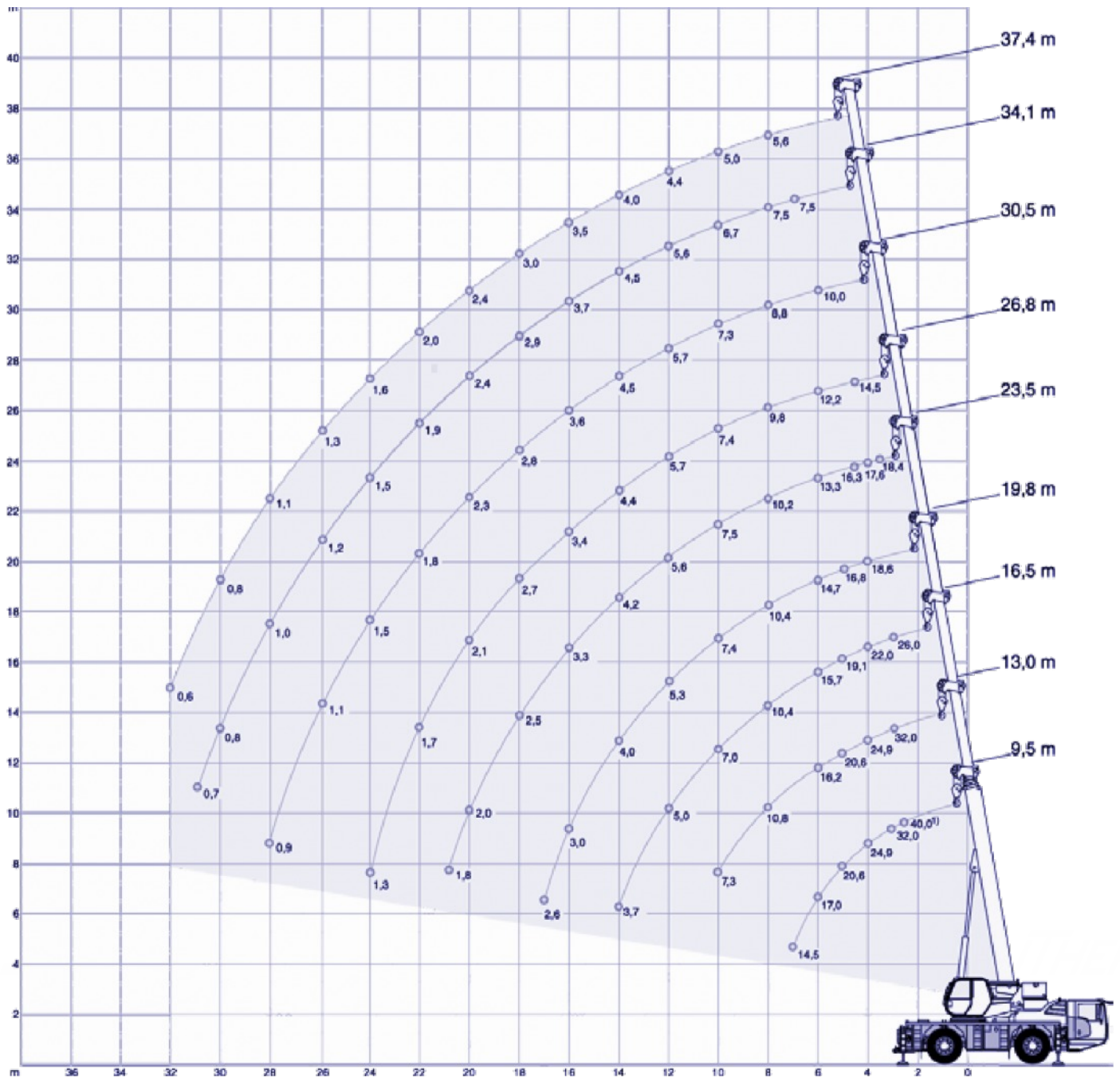
Pollards Way, Southwater, Horsham, RH13 9AQ

Access hire: 01403 339105 . Crane hire: 01403 790874
sales@southerncranes.co.uk . www.southerncranes.co.uk

Cranes
Access
Transport
Contract Lifting
Training

Terex AC40L




Working range



1) over rear

Terex AC40L

Lifting capacities

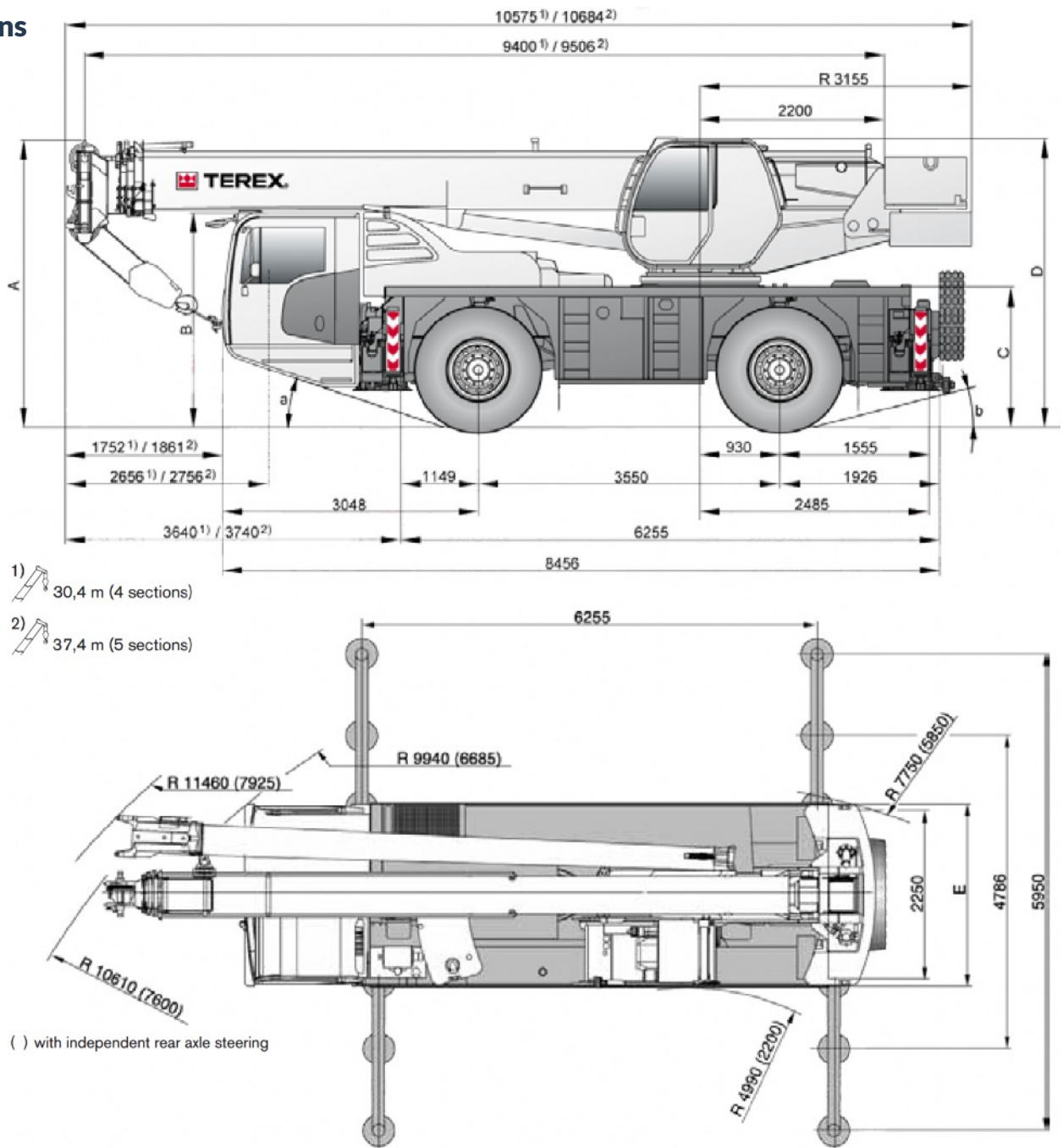
5,5 t		6,20 x 5,95 m									360°	ISO
		9,50	13,00	16,50	19,80	23,50	26,80	30,50	34,10	37,40		
m	t	t	t	t	t	t	t	t	t	t	m	
2,6	40,00 ¹⁾	-	-	-	-	-	-	-	-	-	2,6	
3,0	35,00 ¹⁾	-	-	-	-	-	-	-	-	-	3,0	
3,0	32,00	32,00	25,95	18,95	-	-	-	-	-	-	3,0	
3,5	27,45	27,45	23,70	18,35	18,40	-	-	-	-	-	3,5	
4,0	24,90	24,90	22,00	18,60	17,55	-	-	-	-	-	4,0	
4,5	22,60	22,60	20,45	17,95	16,25	14,45	-	-	-	-	4,5	
5,0	20,60	20,60	19,05	16,75	15,15	13,85	-	-	-	-	5,0	
6,0	17,00	17,85	17,25	14,70	13,30	12,20	10,00	-	-	-	6,0	
7,0	14,45	14,95	14,60	12,75	11,80	10,90	9,65	7,45	-	-	7,0	
8,0	-	11,85	12,15	11,65	10,20	9,75	8,80	7,45	5,55	-	8,0	
9,0	-	9,75	10,00	10,10	8,70	8,55	8,00	7,05	5,35	-	9,0	
10,0	-	8,15	8,40	8,55	7,50	7,40	7,30	6,70	5,00	-	10,0	
11,0	-	-	7,20	7,35	6,95	6,50	6,40	6,15	4,65	-	11,0	
12,0	-	-	6,25	6,40	6,50	5,70	5,70	5,60	4,40	-	12,0	
13,0	-	-	5,45	5,60	5,70	5,25	5,05	5,00	4,15	-	13,0	
14,0	-	-	4,85	4,95	5,05	4,95	4,50	4,50	3,95	-	14,0	
15,0	-	-	-	4,40	4,50	4,60	4,00	4,05	3,70	-	15,0	
16,0	-	-	-	3,95	4,05	4,10	3,55	3,65	3,45	-	16,0	
17,0	-	-	-	3,55	3,65	3,70	3,15	3,25	3,25	-	17,0	
18,0	-	-	-	-	3,30	3,35	2,80	2,90	3,00	-	18,0	
19,0	-	-	-	-	3,00	3,05	2,50	2,60	2,70	-	19,0	
20,0	-	-	-	-	2,75	2,80	2,25	2,35	2,40	-	20,0	
21,0	-	-	-	-	2,50	2,55	2,00	2,25	2,15	-	21,0	
22,0	-	-	-	-	-	2,35	1,80	2,10	1,95	-	22,0	
23,0	-	-	-	-	-	2,15	1,60	1,95	1,75	-	23,0	
24,0	-	-	-	-	-	1,95	1,45	1,75	1,60	-	24,0	
25,0	-	-	-	-	-	-	1,35	1,60	1,45	-	25,0	
26,0	-	-	-	-	-	-	1,25	1,45	1,30	-	26,0	
27,0	-	-	-	-	-	-	1,15	1,35	1,15	-	27,0	
28,0	-	-	-	-	-	-	1,05	1,20	1,05	-	28,0	
29,0	-	-	-	-	-	-	-	1,10	0,90	-	29,0	
30,0	-	-	-	-	-	-	-	1,00	0,80	-	30,0	
31,0	-	-	-	-	-	-	-	0,90	0,70	-	31,0	
32,0	-	-	-	-	-	-	-	-	0,60	-	32,0	
33,0	-	-	-	-	-	-	-	-	0,55	-	33,0	

¹⁾ over rear

- Longest main boom in its category with 30.4m and a maximum tip height of 46m
- Fully hydraulic boom system provides shortest telescopic times and high load telescoping capacities
- State-of-the-art engine technology type OM 906 LA
- Spacious and comfortable cab with sliding door and large hinged windscreen (superstructure)
- 2-seat carrier cab with air-conditioning

Terex AC40L

Dimensions



	A*	B*	C*	D*	E	a	b
14.00 x 25	3350	2475	1580	3350	2550	11°	11°
16.00 x 25	3400	2525	1630	3400	2550	13°	13°
20.5 x 25	3400	2525	1630	3400	2850	13°	13°

* Suspension lowered to 80 mm

Southern Cranes & Access Ltd
Pollards Way, Southwater, Horsham, RH13 9AQ

Access hire: 01403 339105 . Crane hire: 01403 790874
sales@southerncranes.co.uk . www.southerncranes.co.uk 10 October 2016