

SOUTHERN CRANES & ACCESS

Genie Z60



Southern Cranes & Access Ltd

Pollards Way, Southwater, Horsham, RH13 9AQ

Access hire: 01403 339105 . Crane hire: 01403 790874
sales@southerncranes.co.uk . www.southerncranes.co.uk

Cranes
Access
Transport
Contract Lifting
Training

Genie Z60

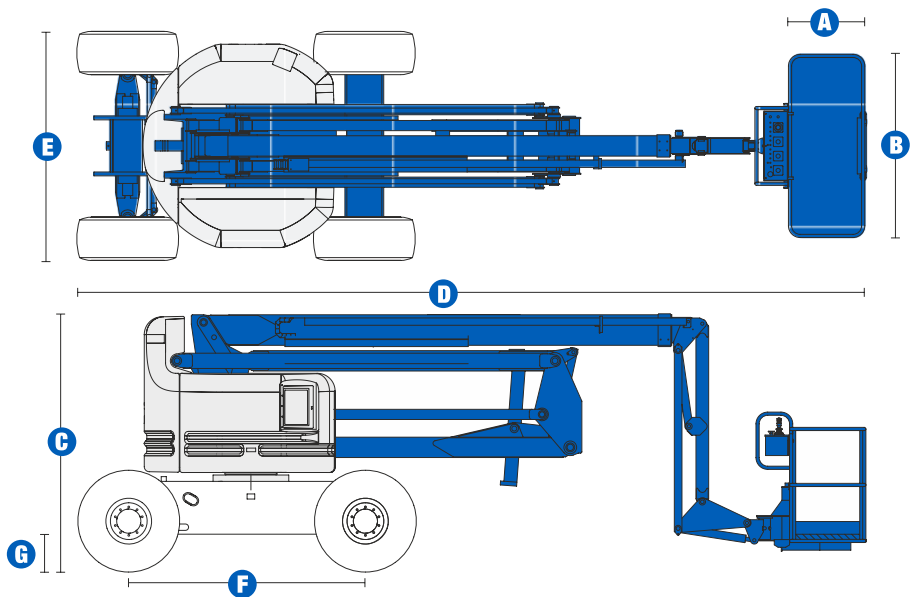
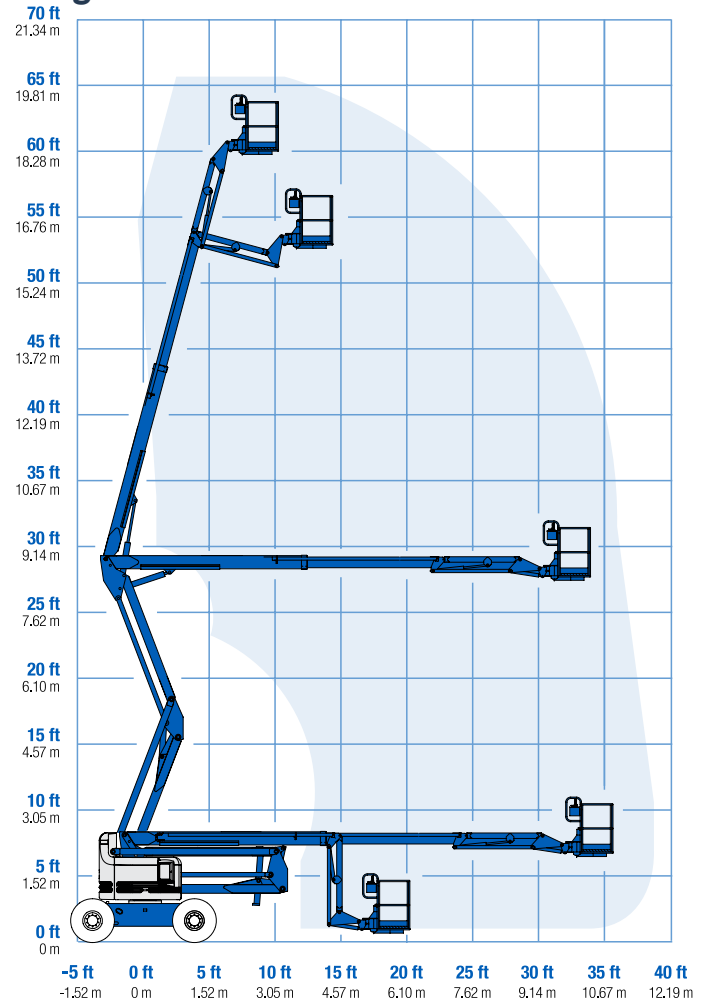
Measurements

Max. working height.....	20.39m
Max. horizontal reach.....	11.05m
Up & over clearance max.....	8.23m
Platform length (A).....	0.76m
Platform Width (B).....	1.83m
Height- Stowed (C).....	2.69m
Length- Stowed (D).....	8.15m
Width (E).....	2.16m
Wheelbase (F).....	2.51m
Ground Clearance (G).....	0.41m

Productivity

Lift capacity.....	227kg
Platform Rotation.....	180°
Vertical jib rotation	90°
Turntable rotation.....	360° continuous
Turntable tail swing.....	Zero
Drive speed- stowed.....	4.8 km/h
Drive speed- raised.....	1.1km/h
Gradeability.....	25%
Turning radius- inside.....	3.04m
Turning radius- outside.....	6.07m
Controls.....	12v DC proportional
Tyres.....	385/65 D19.5, 12ply

Range of Motion



Southern Cranes & Access Ltd

Pollards Way, Southwater, Horsham, RH13 9AQ

Access hire: 01403 339105 . Crane hire: 01403 790874
sales@southerncranes.co.uk . www.southerncranes.co.uk

14 September 2016