

SOUTHERN CRANES & ACCESS

Manitou MT1435SL



Southern Cranes & Access Ltd

Pollards Way, Southwater, Horsham, RH13 9AQ

Access hire: 01403 339105 . Crane hire: 01403 790874
sales@southerncranes.co.uk . www.southerncranes.co.uk

Cranes
Access
Transport
Contract Lifting
Training

Manitou MT1435SL

Lifting capacity

500 mm from forks heels.....3,500 kg
 Tipping load at maximum reach1,430 kg
 Tear out force with toothed digging bucket to ISO 8313-1986 with tilting ram7,600 daN
 Lifting height.....13.60 m

Times : unladen/loaded (in s)

Lifting.....10.8/11.3
 Lowering.....7.6/7.2
 Simultaneous extension 1st and 2nd booms.....16.5/18
 Simultaneous retraction 1st and 2nd booms.....14.5/13.8
 Crowd (unladen).....4.2
 Dump (unladen).....3.6

Forks (mm)

Length.....1200
 Width x thickness.....125 X 45
 Maximum distance between forks.....1040
 Carriage rotation.....124°

PERKINS Engine

Type.....1104C.44 Turbo
 Capacity.....4 cylinders - 4,400 cm3
 Power (ISO/TR 14396) at 2200 rpm.....100 HP/74.5 kw
 Maximum torque.....412 Nm at 1,400 rpm
 Direct Injection
 Water Cooling
 Brakes hydraulically operated with oil-immersed multidiscs
 Transmission hydrostatic with automatic power regulation (hydraulic variable displacement pump and motor)
 Electro-hydraulic reversing shift. 4 speeds forward and 2 reverse
 Travel speed.....25 km/h

Hydraulics

Pump gear type.....250 bars/168 l/mn
 Flow divider with priority to steering

Capacities

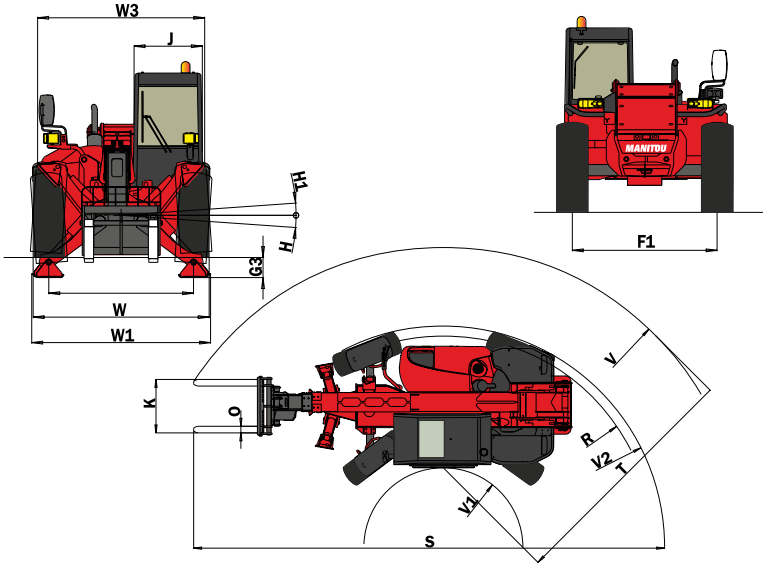
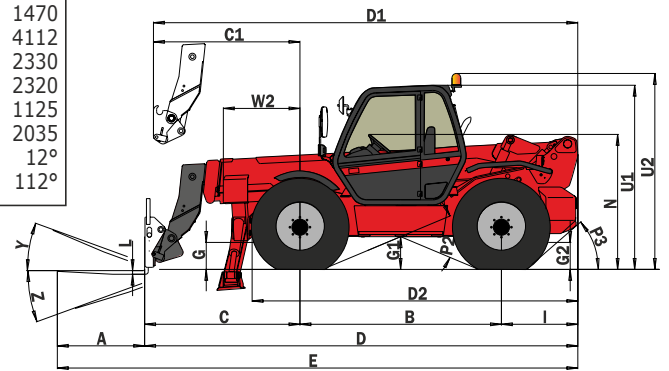
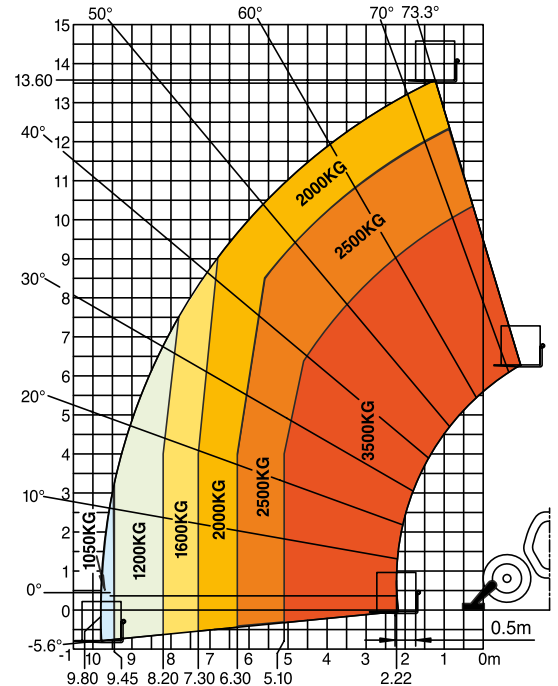
Cooling system.....21.5 l
 Engine oil.....11 l
 Hydraulic oil.....126 l
 Fuel tank.....135 l
 Weight unladen (with forks).....10210 kg

Dimensions

Overall width.....2.33 m
 Overall stabilizers extended.....2.33 m
 Overall height.....2.57 m
 Turning radius (outside wheels).....4.11 m
 Length up to carriage.....6.09 m
 Ground clearance.....0.45 m
 Drawbar pull (Turbo).....8000 daN

A	1200
B	2770
C	2269
C1	2348
D	6089
D1	6168
D2	4405
E	7289
F	1916
F1	1916
G	450
G1	445
G2	450
G3	275
H	7°
H1	7°
I	1050
J	950
K	1040
L	45
N	1860-1910
O	125
P2	43.5°
P3	40°
R	3905
S	8965
T	4355
U1	2575
U2	2755
V	5825
V1	1470
V2	4112
W	2330
W1	2320
W2	1125
W3	2035
Y	12°
Z	112°

mm



Southern Cranes & Access Ltd
 Pollards Way, Southwater, Horsham, RH13 9AQ

Access hire: 01403 339105 . Crane hire: 01403 790874
 sales@southerncranes.co.uk . www.southerncranes.co.uk

13 September 2016