

SOUTHERN CRANES & ACCESS

Genie GS1932



Southern Cranes & Access Ltd

Pollards Way, Southwater, Horsham, RH13 9AQ

Access hire: 01403 339105 . Crane hire: 01403 790874
sales@southerncranes.co.uk . www.southerncranes.co.uk

Cranes
Access
Transport
Contract Lifting
Training

Genie GS1932

Dimensions

Working height maximum.....	7.79 m
Platform height maximum A	5.79 m
Platform height - stowed B	1.00 m
Platform length - outside C	1.63 m
(extended).....	2.54 m
Slide-out platform extension deck.....	0.91 m
Platform width - outside D	0.74 m
Guardrail height.....	1.10 m
Toe-board height.....	0.15 m
Height - stowed: folding guardrails E	2.11 m
rails folded.....	1.75 m
Length - stowed F	1.83 m
Length - stowed extended.....	2.74 m
Width G	0.81 m
Wheelbase H	1.32 m
Ground clearance - centre I	0.06 m
with pothole guards deployed J	0.02 m
Weight.....	1,503 kg

Productivity

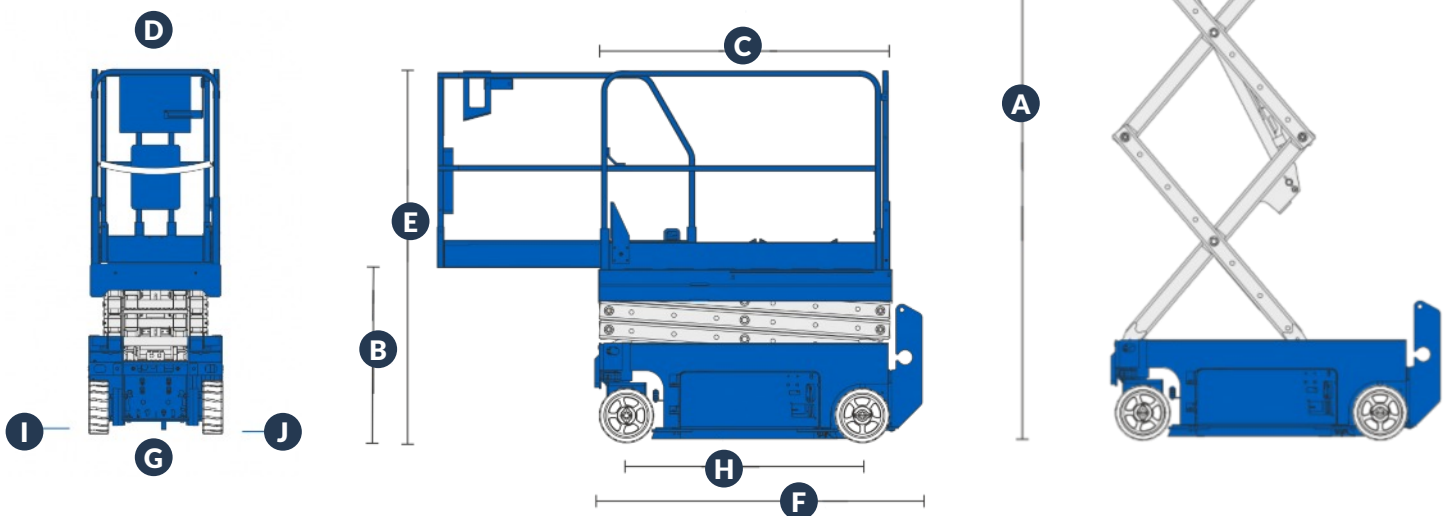
Max platform occupancy.....	2
Lift capacity.....	227 kg
Drive speed (stowed).....	4.0 km/h
Drive speed (raised).....	0.8 km/h
Gradeability (stowed).....	25%
Turning radius (inside).....	0
Turning radius (outside).....	1.55 m
Raise / lower speed.....	16 / 29 sec
Controls.....	proportional
Drive.....	dual front wheel
Solid non-marking tyres.....	30 x 11 x 20 cm

Power

Power source.....	4 x 6V 225Ah batteries
Hydraulic system capacity.....	14.2 l
Sound and vibration	
Sound pressure level.....	<70 dbA
Vibration.....	<2.5 m/s ²

The GS1932 is fitted with the deckRail Xtra™ handling system. This system is designed to safely restrain and hold materials in place, allowing freedom of movement for the Operator without any intrusion into the platform deck area.

deckRail Xtra®



Southern Cranes & Access Ltd

Pollards Way, Southwater, Horsham, RH13 9AQ

Access hire: 01403 339105 . Crane hire: 01403 790874
sales@southerncranes.co.uk . www.southerncranes.co.uk

15 September 2016