

SOUTHERN CRANES & ACCESS

Genie Z34/22



Southern Cranes & Access Ltd

Pollards Way, Southwater, Horsham, RH13 9AQ

Access hire: 01403 339105 . Crane hire: 01403 790874
sales@southerncranes.co.uk . www.southerncranes.co.uk

Cranes
Access
Transport
Contract Lifting
Training

Genie Z34

Working range

2WD - Working height max*	12.52 m
2WD - Platform height max	10.52 m
4WD - Working height max*	12.62 m
4WD - Platform height max	10.62 m
Horizontal reach max	6.78 m
Up'n'over clearance	4.54 m

Measurements

Platform length (A)	0.76 m
Platform width (B)	1.42 m
Height - stowed (C)	2.00 m
Length - stowed (D)	5.72 m
Storage height (E)	2.26 m
Storage length (F)	4.19 m
Width (G)	1.80 m
Wheelbase (H)	1.88 m
Ground clearance (I)	0.14 m

Productivity

Lift capacity	227 kg
Platform rotation	180°
Vertical jib rotation	144°
Turntable rotation	355° non-continuous
Turntable tail swing	zero
Drive speed - stowed	6.4 km/h
Drive speed - raised **	1.0 km/h
Gradeability ***	35%
Turning radius - inside	2.13 m
Turning radius - outside	4.08 m
Controls	proportional
Tyres	0.56 x 0.18 x 0.45 m
Auxiliary power unit	12V DC
Hydraulic tank capacity	15.1 litres
Weight ****	5,171 kg

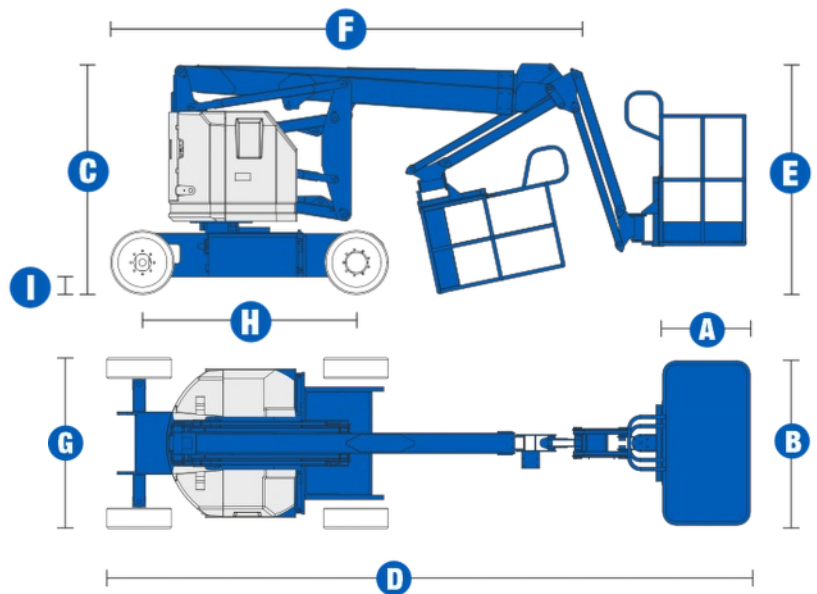
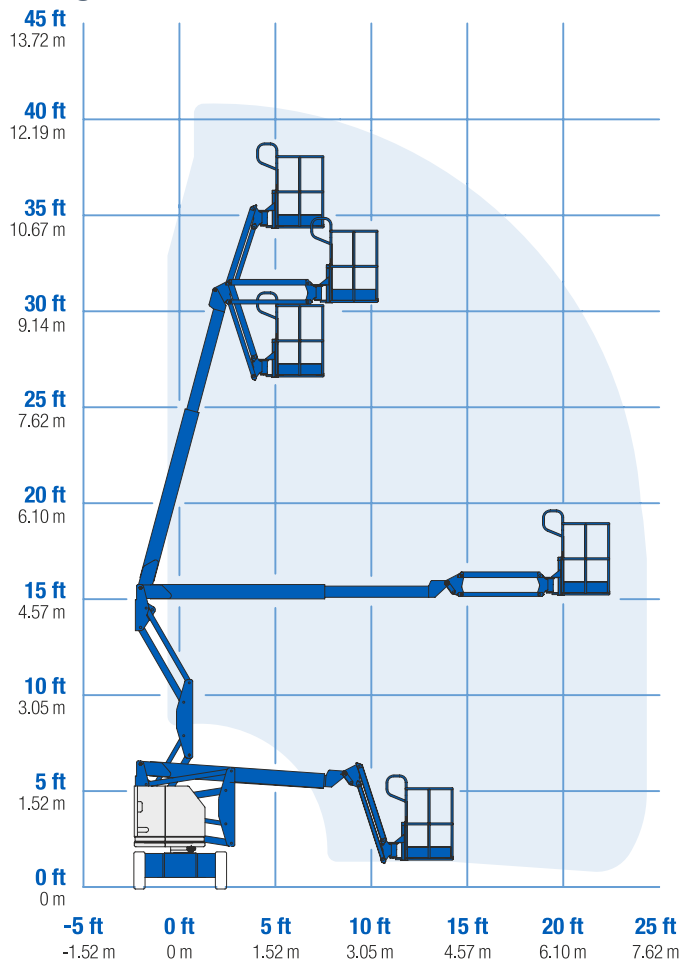
* The working height adds 2 metres to platform height.

** In the lift mode (platform raised), the machine is designed to operate on firm, level surfaces only

*** Gradeability applies to driving on slopes. See operators manual for details regarding slope ratings

**** Weight will vary depending on options and/or country standards

Range of motion



Southern Cranes & Access Ltd

Pollards Way, Southwater, Horsham, RH13 9AQ

Access hire: 01403 339105 . Crane hire: 01403 790874
sales@southerncranes.co.uk . www.southerncranes.co.uk

14 September 2016